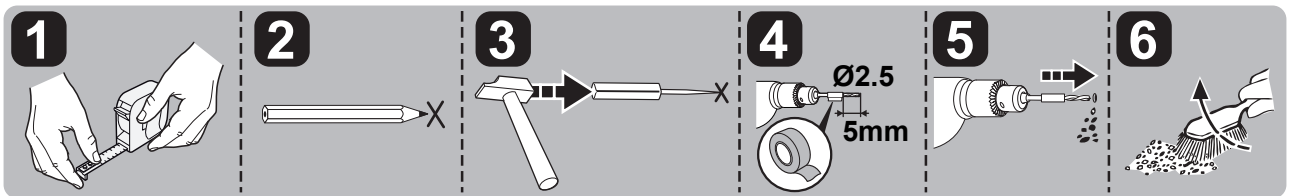
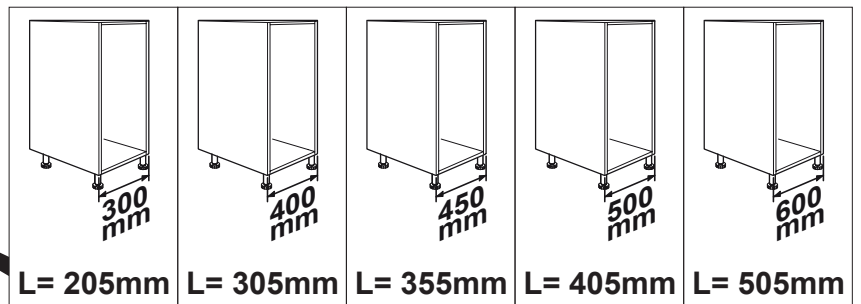
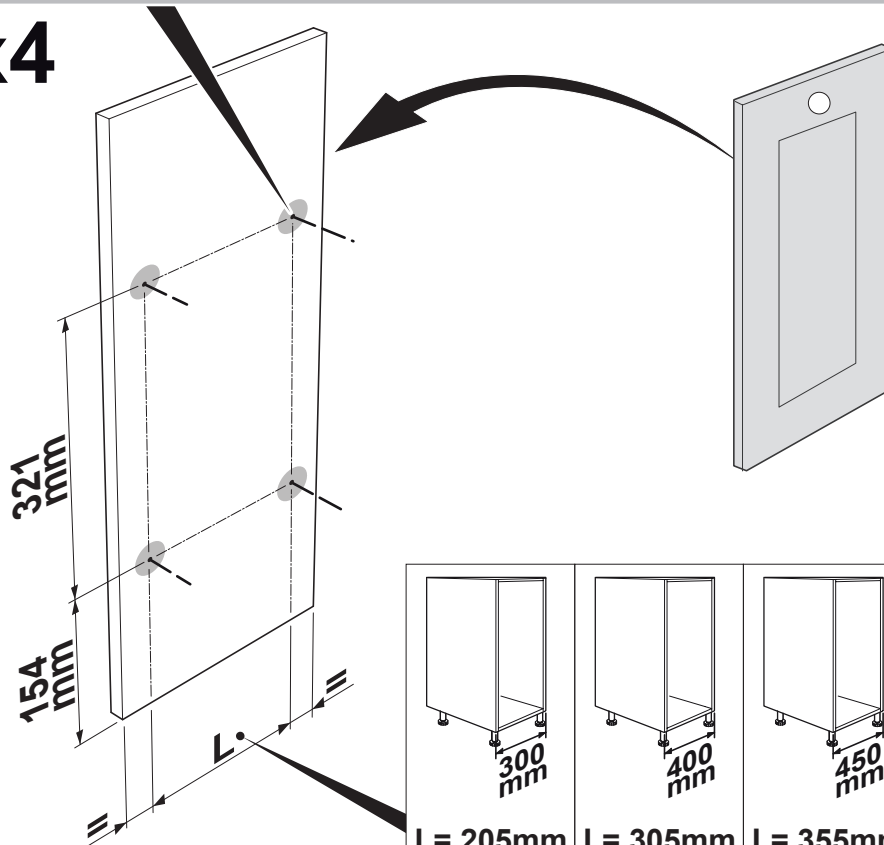
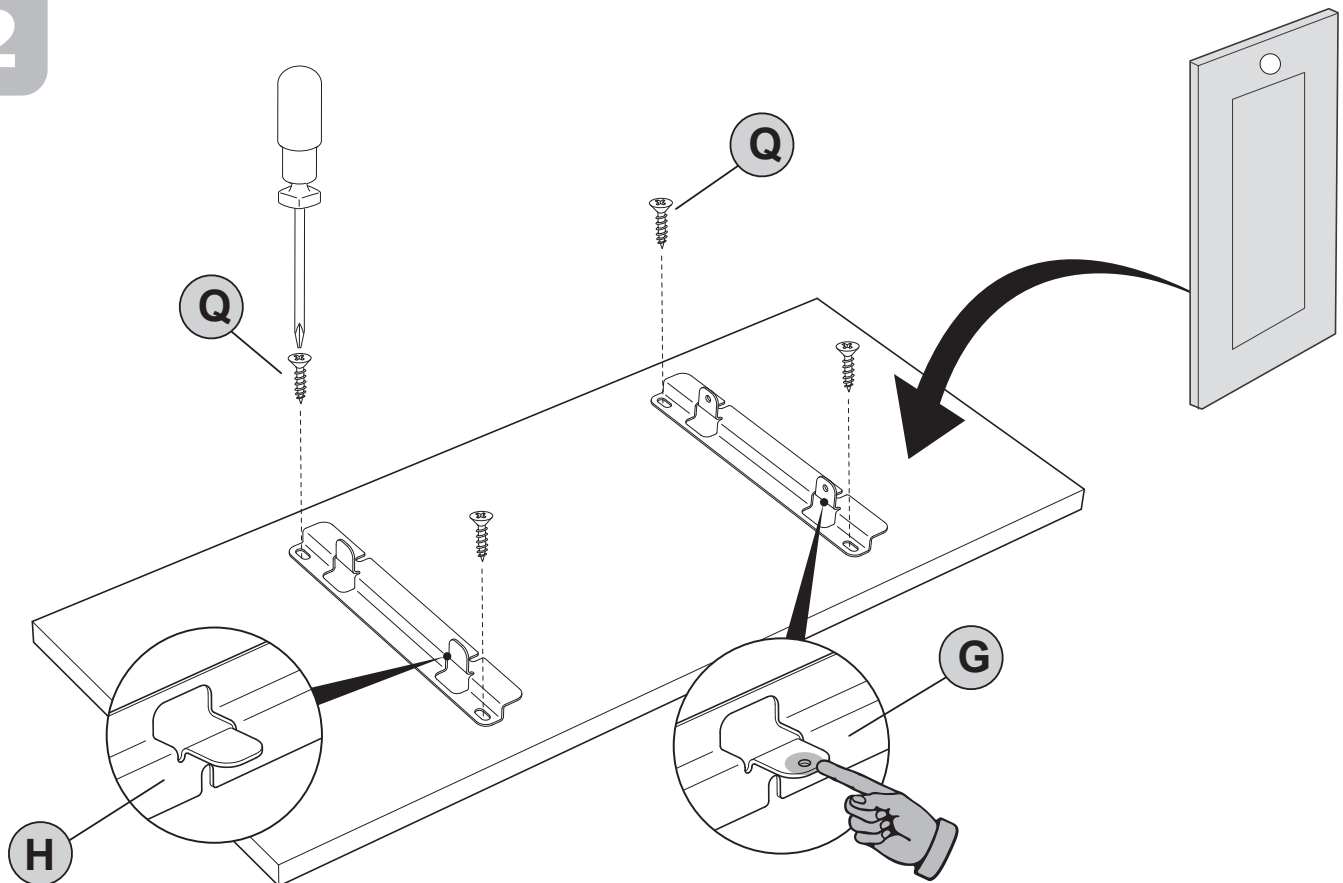
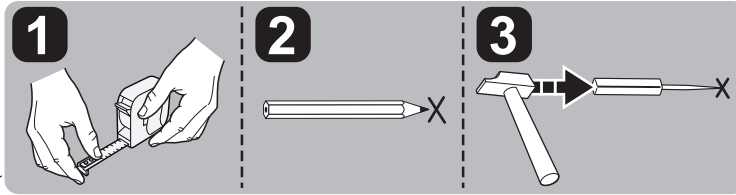
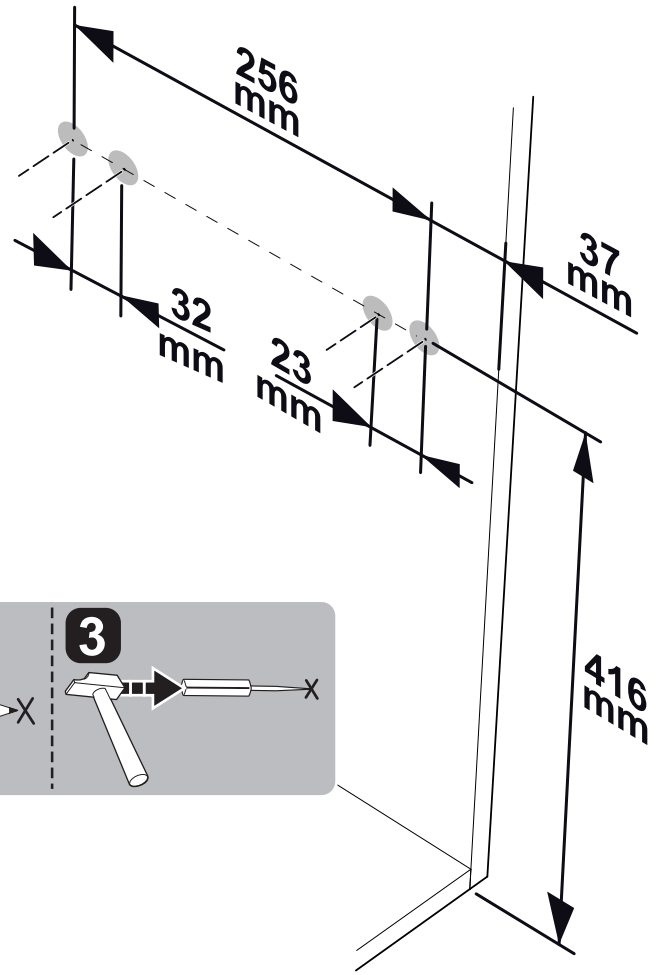
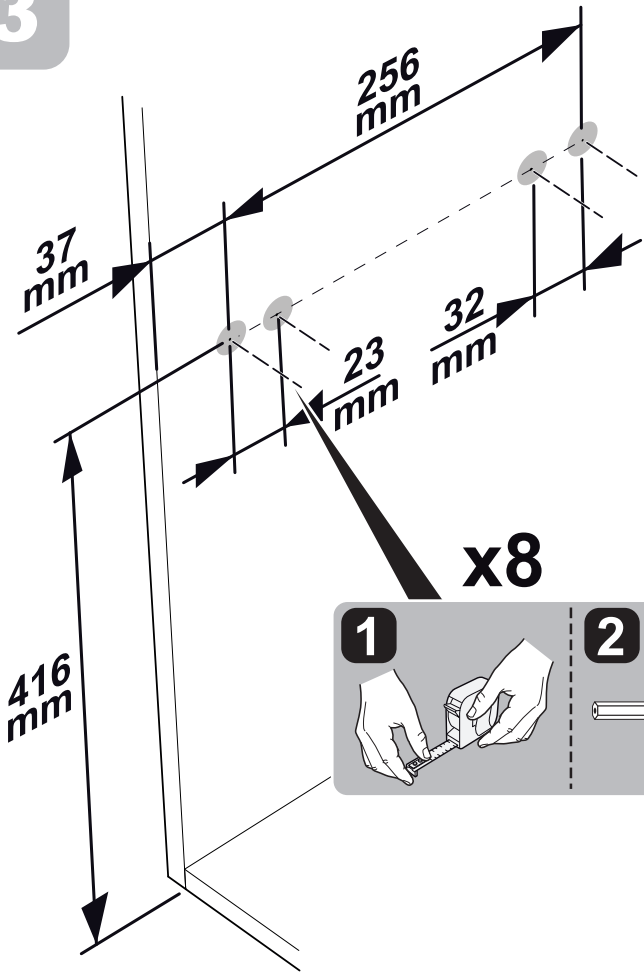
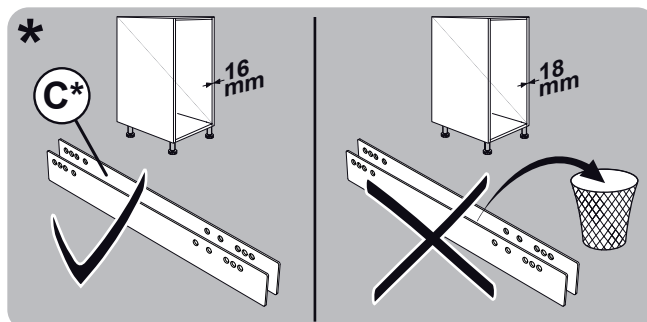
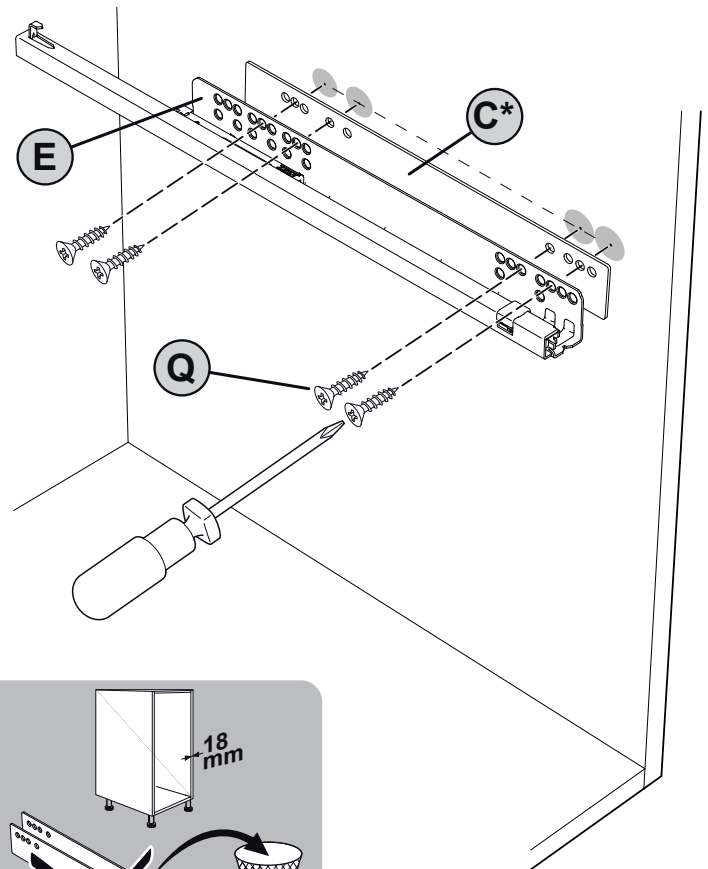
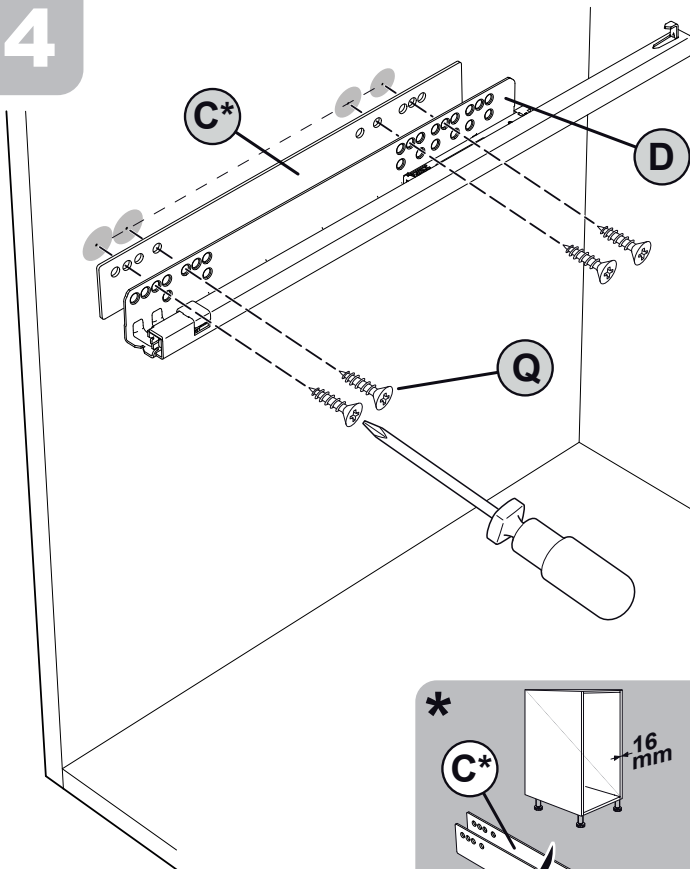


1**x4****2****2**

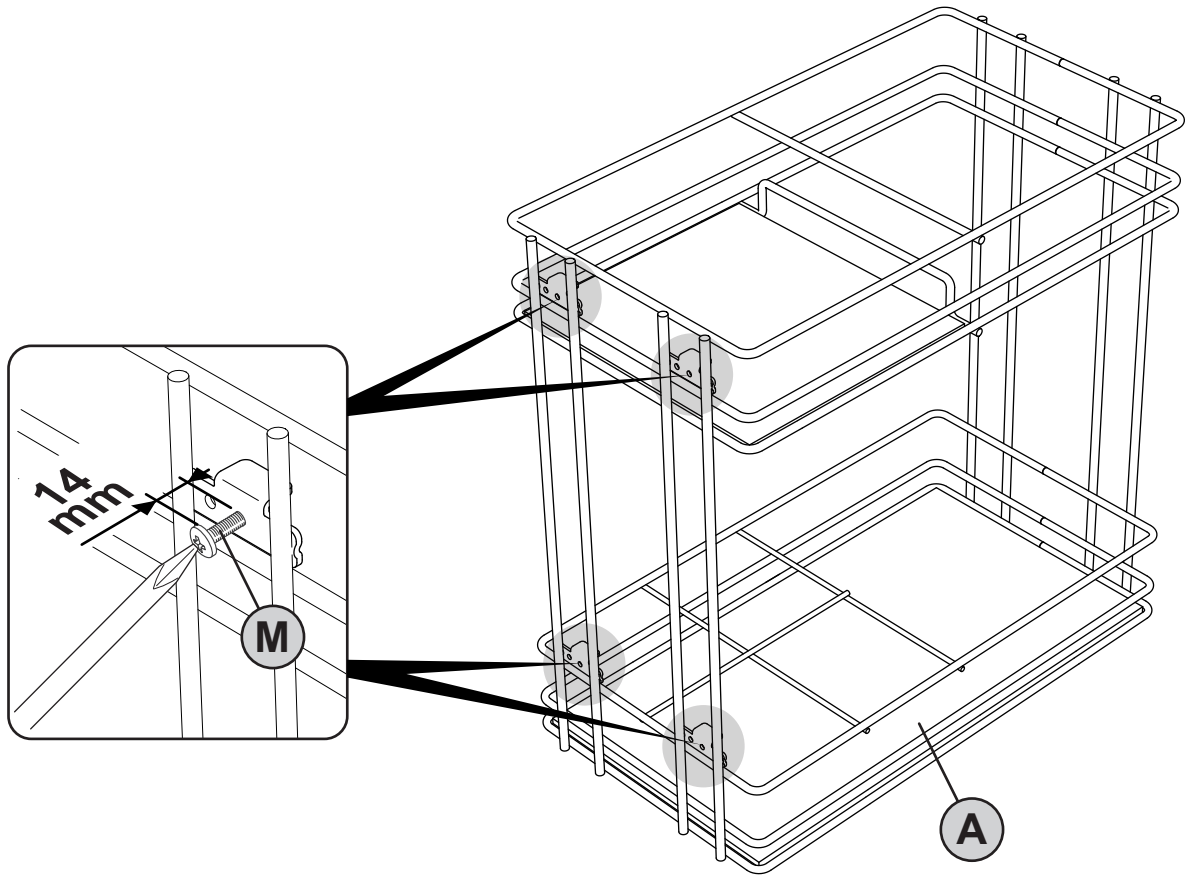
3



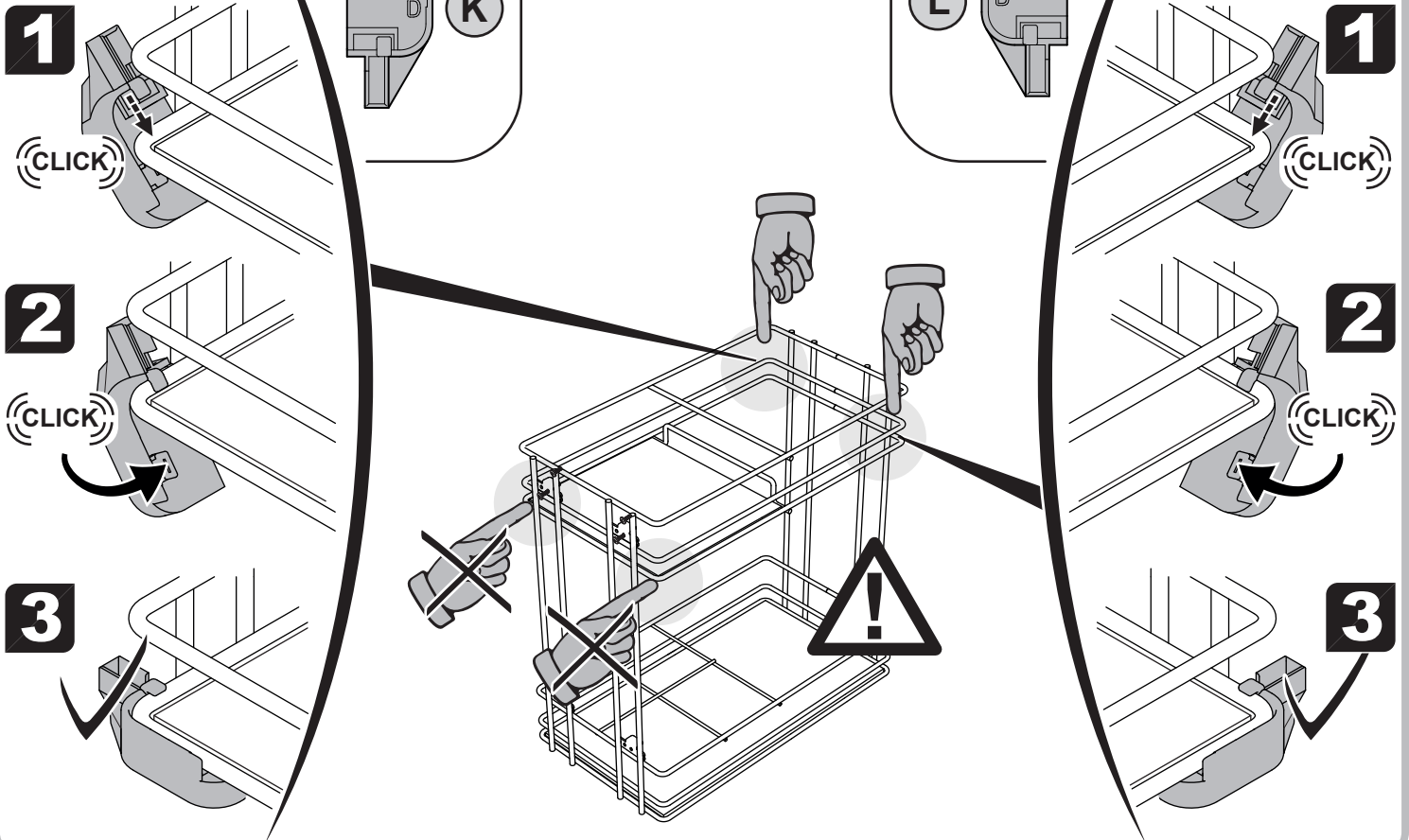
4



5

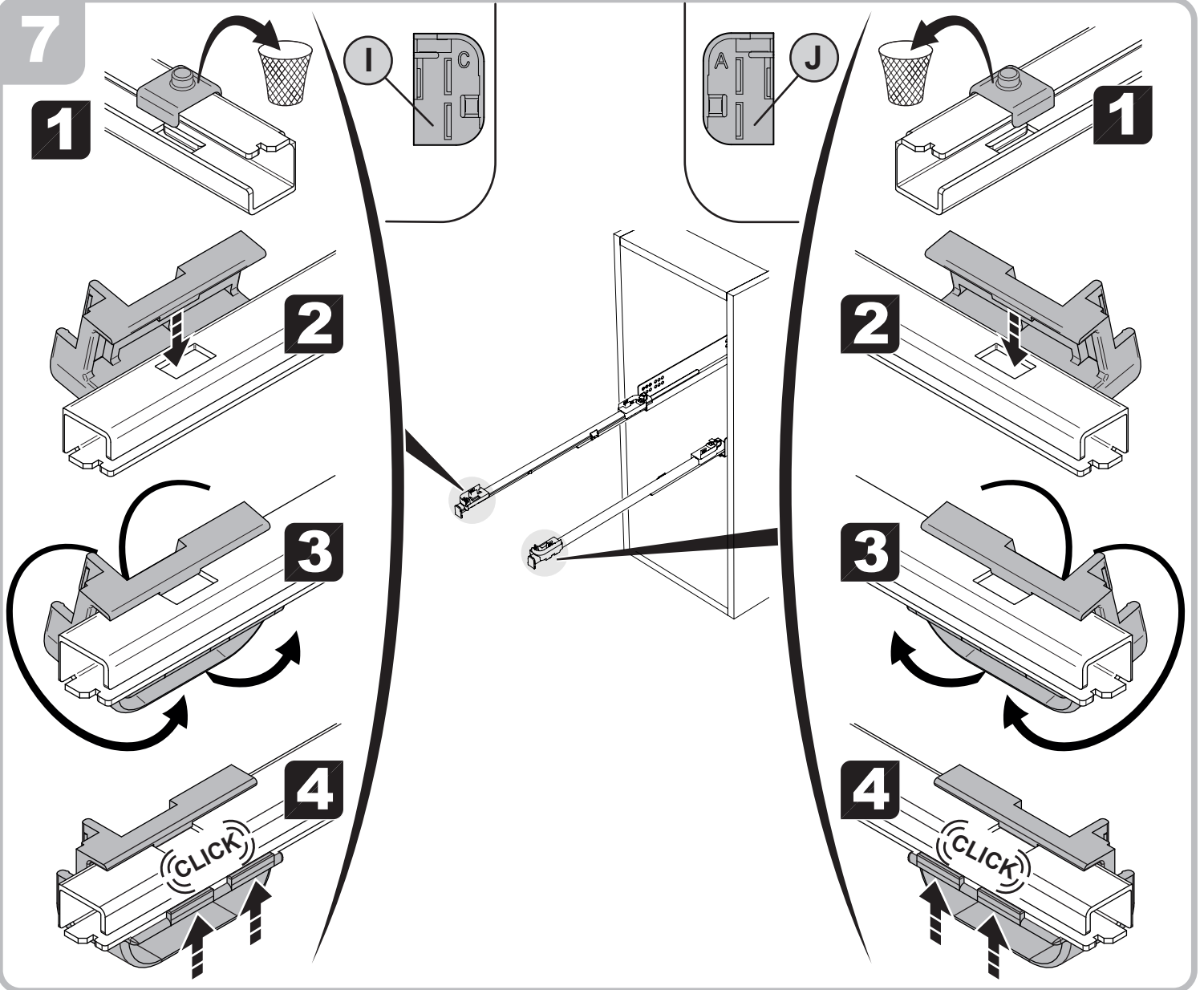


6

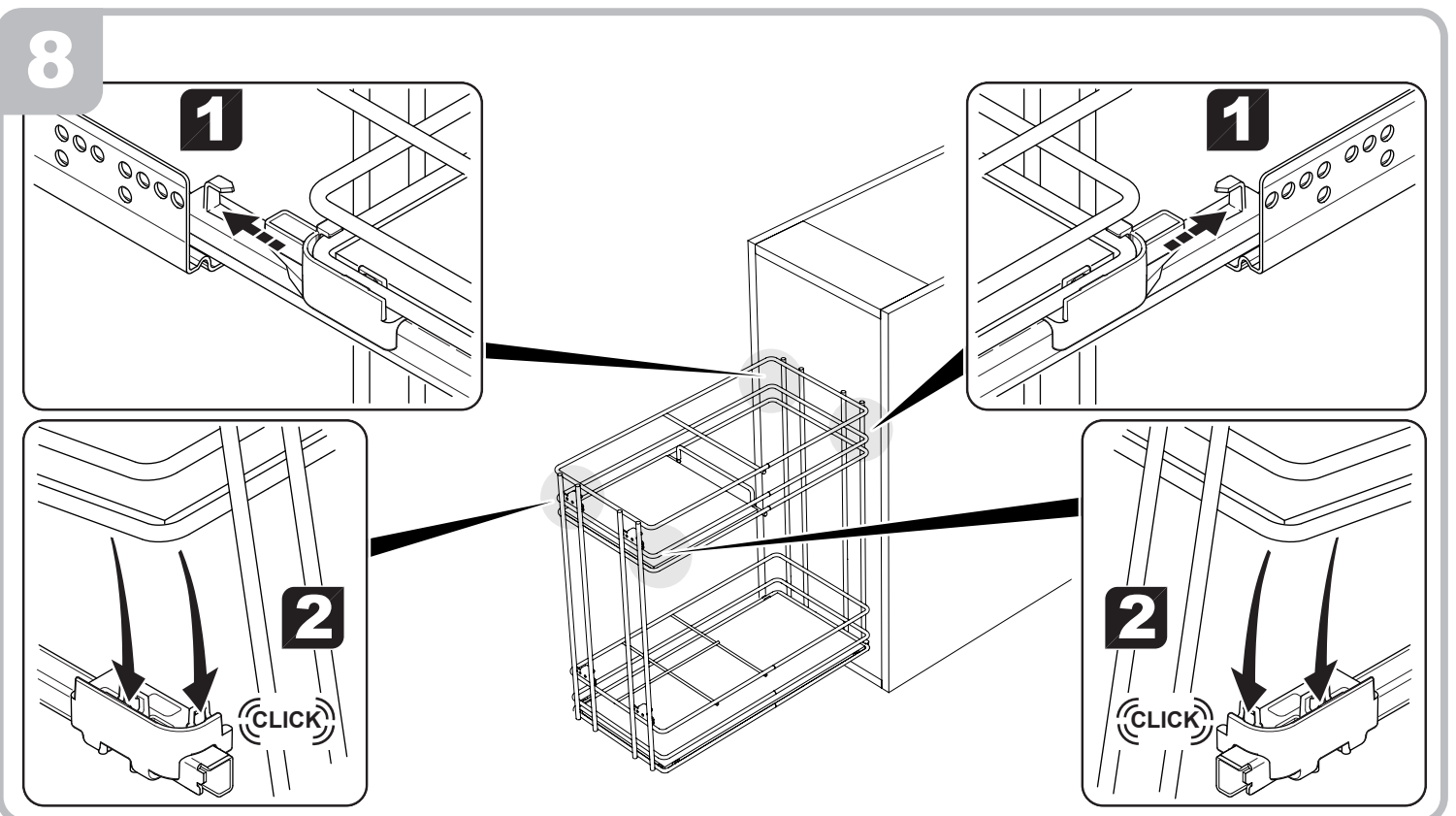


4

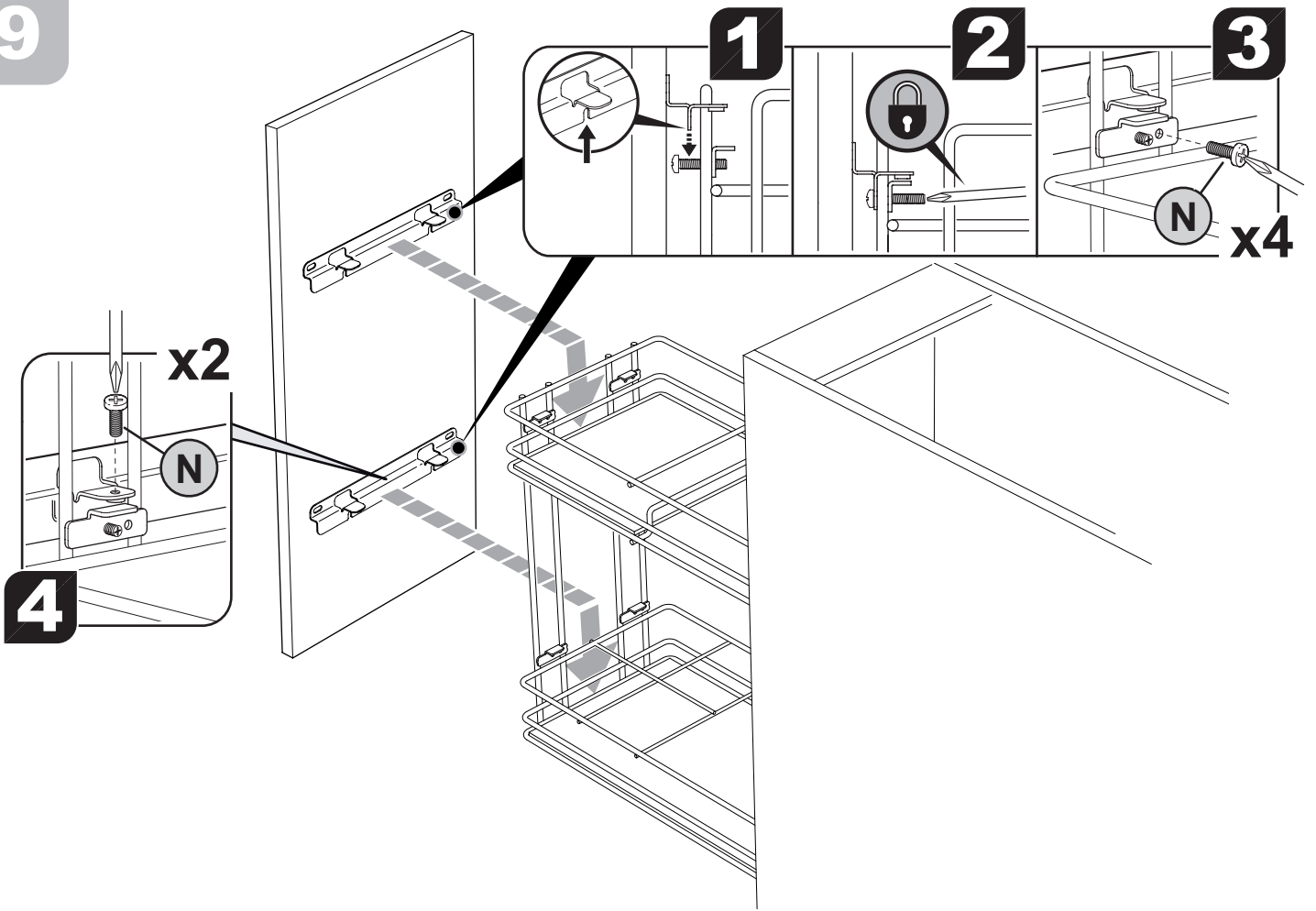
7



8

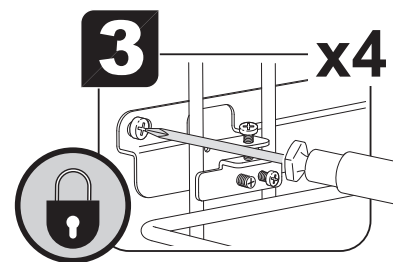
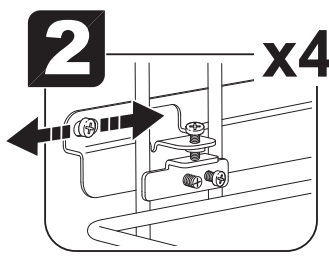
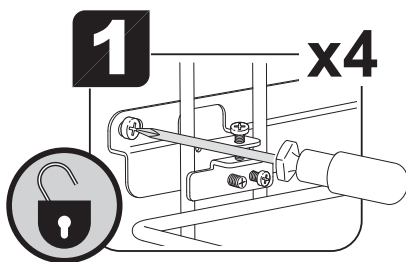
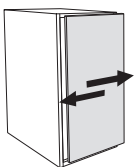
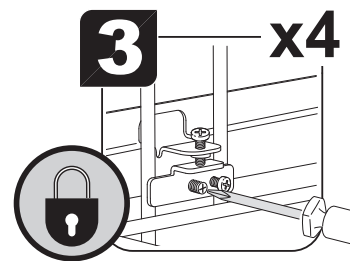
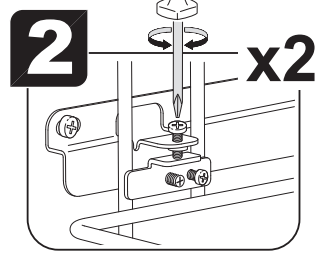
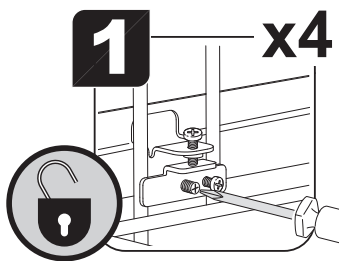
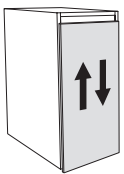
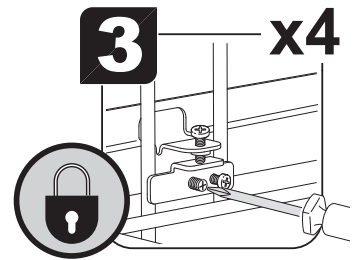
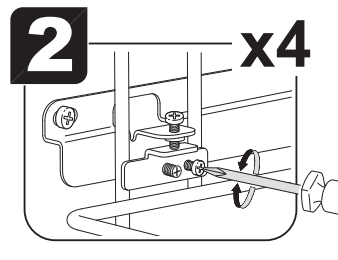
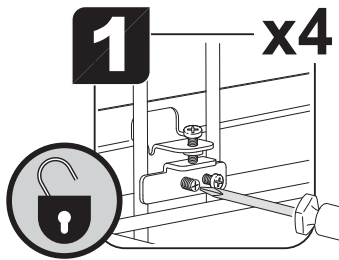
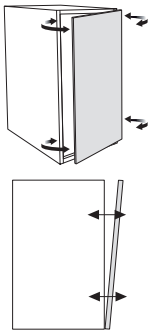


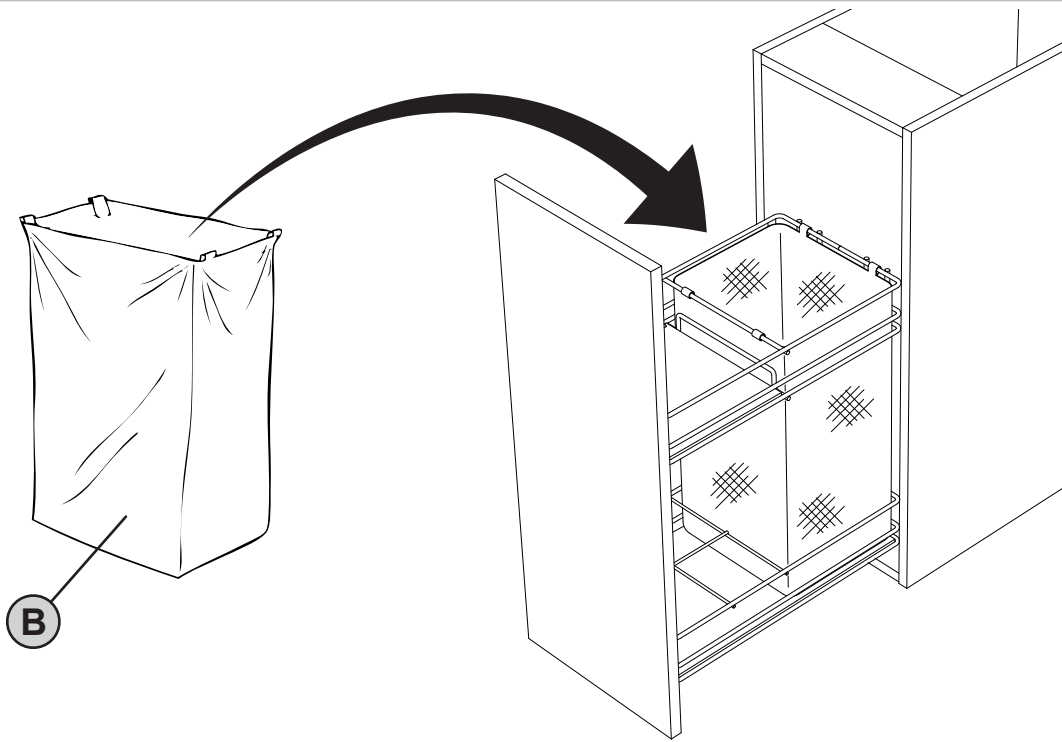
9



10

DOOR ADJUSTMENT - RÉGULATION FACADE - FRONT EINSTELLUNG - AJUSTE PUERTA - REGOLAZIONE ANTA





NOTES